

ELECTRIC GUITAR SGV800/SGV700/SGV300

SERVICE MANUAL



SGV800



SGV700

* Japan Domestic Only



SGV300



This document is printed on chlorine free (ECF) paper with soy ink.

CONTENTS

OVERALL ASSEMBLY	2
BRIDGE ASSEMBLY	8
CIRCUIT DIAGRAM	9
WIRING	10
SPECIFICATIONS	11

EG 011511

SGV300 200004**-45000
SGV700 200004**-65000
SGV800 200004**-80000



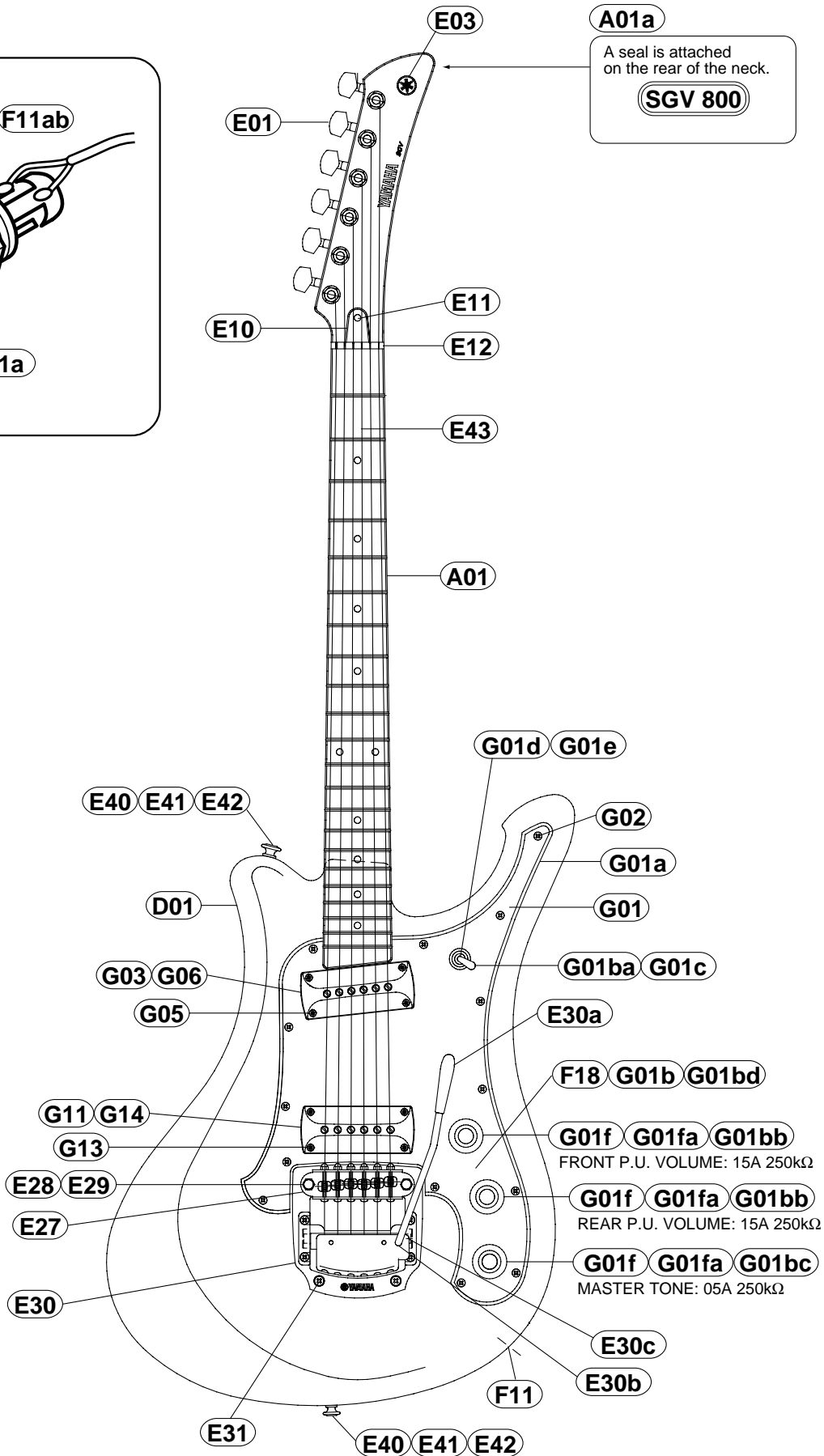
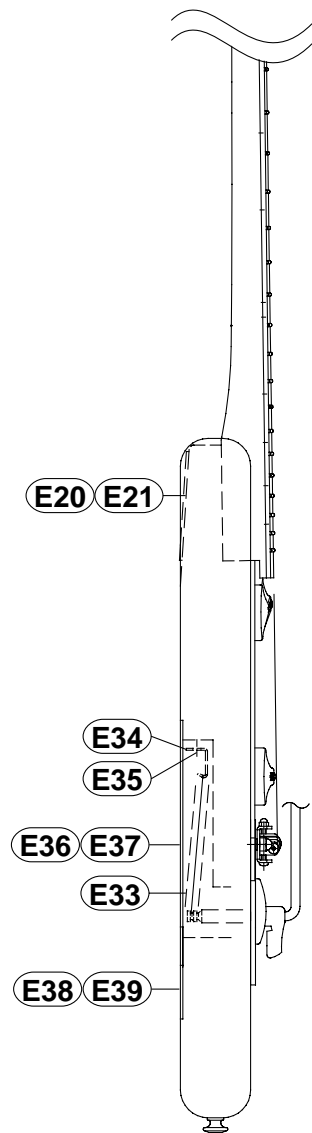
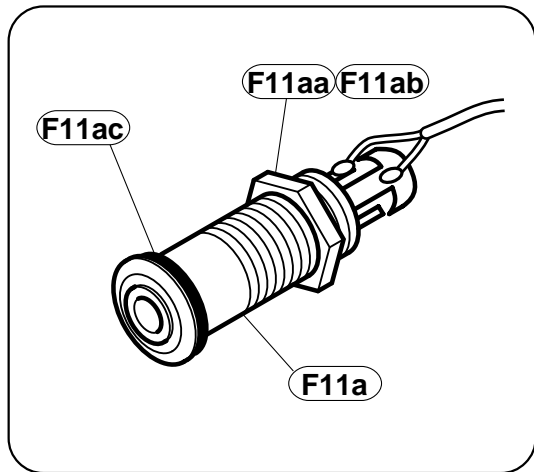
HAMAMATSU, JAPAN

1.13K-132 Printed in Japan '00.04

OVERALL ASSEMBLY

● SGV800

(F11) Jack Assembly



● SGV800

REF NO.	PART NO.	DESCRIPTION		REMARKS	QTY	RANK
* A01	AAX13910	OVERALL ASSEMBLY		SGV800		
* A01	AAX13920	Neck Assembly		BUS		
* A01	AAX13930	Neck Assembly		RDS		
* A01	AAX13940	Neck Assembly		BKS		
A01a	--	Seal		PSW		
				(QC55400)		
D01	--	Body				
E01	QC200100	Tuning Machine Assembly	SPERZEL TUNER 0.87		6	10
E03	--	Mark	yamaha logo			
				(QC32010)		
E10	VK553900	Rod Cover	BL			04
* E11	21062000	Oval Head Wood Screw	2.4X10 FCM3BL (BL)			
* E12	QC537500	Nut	41mm R250 (IV)			
E20	QC015100	Neck Plate	CR			04
E21	EN240060	Oval Head Tapping Screw	4.0X45 FNM33G (NI)		4	01
* E27	QC537600	Bridge Assembly	ROLLER TYPE (CR)			
* E28	QC539200	Bridge H. Adjustment Screw	M6.0 (CR)		2	
* E29	QC539600	Ant: Slip Nut	CR		2	
* E30	QC539000	Vibrato Assembly	CR			
* E30a	QC541100	Arm Assembly	FCRM33G (CR)			
* E30b	QC541000	Arm Shaft Holder	BL			
E30c	AAX07860	Tension Adjustment Screw	M3.0X4 (BL)			
E31	EB630100	Oval Head Wood Screw	3.5X25 FCM33G (CR)		4	02
E33	--	Vibrato Spring			2	
E34	--	Spring Stopper				
E35	EN240060	Spring Screw	4.0X45 FNM33G (NI)		2	01
* E36	QC556600	Back Cover	WH			
* E37	TY006000	Oval Head Wood Screw	2.4X13 FCM33G (CR)		4	
* E38	QC556800	Back Cover	Electrical (WH)			
* E39	TY006000	Oval Head Wood Screw	2.4X13 FCM33G (CR)		2	
E40	BB801510	Strap Button	CR		2	04
E41	EN230140	Oval Head Tapping Screw	3.0X25 FCM33G (CR)		2	04
E42	VB793700	Spacer	BL		2	01
E43	--	Strings	XL-120	1 set		
				(QC16510)		
* F11	QC546500	Electrical Unit(Jack Assy)				
F11a	--	Jack	GOLD			
				(QA20990)		
F11aa	--	Hexagonal Nut				
F11ab	--	Flat Washer				
F11ac	--	Rubber Ring				
F18	EA620060	Oval Head Wood Screw	2.7X13 FCM33G (CR)			03
G01	--	Pick Guard Assembly				
* G01a	QC545800	Pick Guard	WH(SHELL)			
G01b	--	Electrical Unit				
				(QC54630)		
* G01ba	QC546700	3-P P.U. Selector SW.	3-P			
G01bb	HS120090	Rotary Variable Resistor	15A 250K ohm	F/R P.U. VOLUME	2	03
G01bc	HS120100	Rotary Variable Resistor	05A 250K ohm	MASTER TONE		03
G01bd	UA114220	Mylar Capacitor	0.022uF			01
* G01c	QC545000	Knob, Pickup Switch	CR			
G01d	VA295700	Washer	BL			02
G01e	QC496000	Toothed Lock Washer	12S (A)			01
* G01f	QC541700	Knob Assembly	CR		3	
G01fa	QC532900	Screw	M3.0X3 ZMC-BL (BL)		3	
* G02	TY006000	Oval Head Wood Screw	2.4X13 FCM33G (CR)		14	
* G03	QC542800	Pickup Assembly		FRONT		
* G05	QC556200	Oval Head Wood Screw	2.6X35 FCM33G (CR)		4	
* G06	QC556400	Pickup Cushion				
* G11	QC542900	Pickup Assembly		REAR		
* G13	QC556200	Oval Head Wood Screw	2.6X35 FCM33G (CR)		4	
* G14	QC556400	Pickup Cushion				
*	QC557900	Accessory Unit	G-8	1 set		
	QA262600	Cord	D			05
	AA804050	Hexagonal Wrench	#1.5			01
	AA815290	Hexagonal Wrench	#2.0			
	AA809490	Hexagonal Wrench	#2.5			02
	--	Hexagonal Wrench	#4.0			
	AA024560	Box Wrench		(AA82101)		04

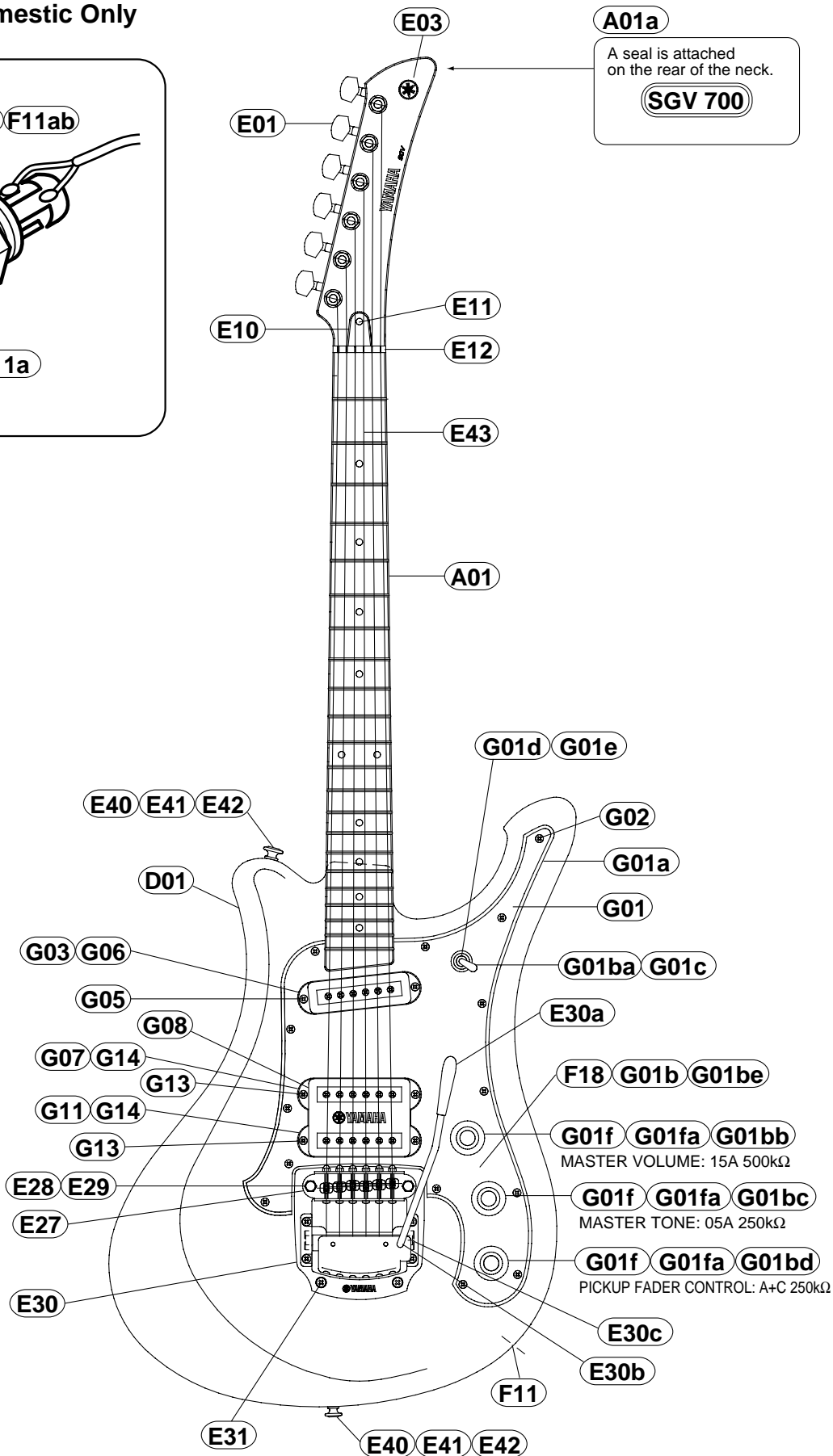
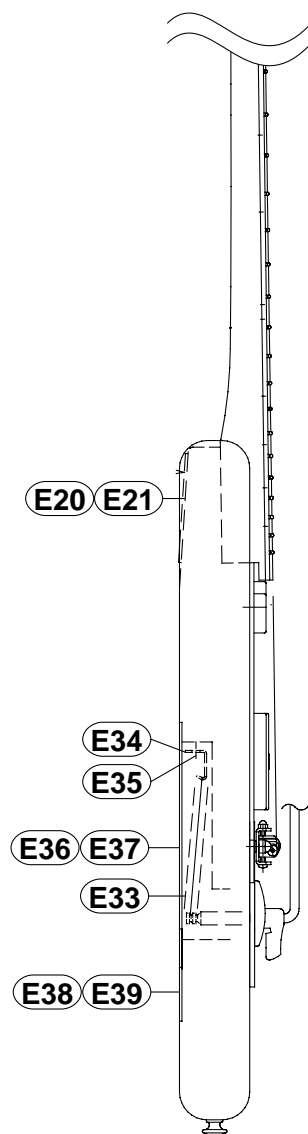
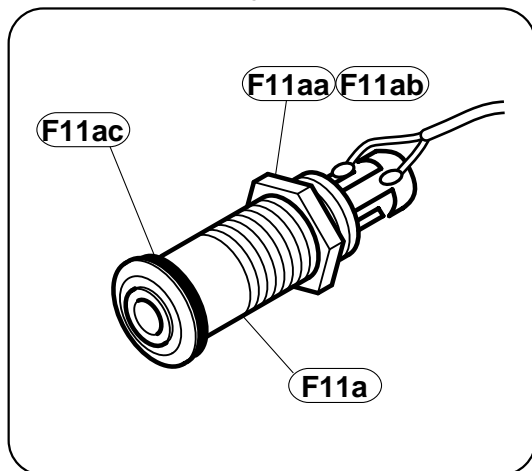
*: New Parts

RANK: Japan only

OVERALL ASSEMBLY

● **SGV700: Japan Domestic Only**

F11 Jack Assembly



A01a

A seal is attached on the rear of the neck.

SGV 700

● SGV700: Japan Domestic Only

REF NO.	PART NO.	DESCRIPTION		REMARKS	QTY	RANK
* A01	AAX13880	OVERALL ASSEMBLY		SGV700		
* A01	AAX13890	Neck Assembly		RM		
* A01	AAX13900	Neck Assembly		PG		
A01a	--	Seal		SLB		
				(QC55410)		
D01	--	Body				
* E01	QC555600	Tuning Machine Assembly	RM1273 (GOLD)		1set	
E03	--	Mark	yamaha logo			
E10	VK553900	Rod Cover	BL			04
* E11	21062000	Oval Head Wood Screw	2.4X10 FCM3BL (BL)			
* E12	QC537500	Nut	41mm R250 (IV)			
E20	QC262600	Neck Plate	GOLD			07
E21	EN240050	Oval Head Tapping Screw	4.0X45 GOLD		4	
* E27	QC537700	Bridge Assembly	ROLLER TYPE (GOLD)			
* E28	QC539100	Bridge H. Adjustment Screw	M6.0 (GOLD)		2	
* E29	QC529800	Ant: Slip Nut	GOLD		2	
* E30	QC539700	Vibrato Assembly	GOLD			
* E30a	QC541200	Arm Assembly	GOLD			
* E30b	QC541000	Arm Shaft Holder	BL			
E30c	AAX07860	Tension Adjustment Screw	M3.0X4 (BL)			
E31	03706630	Oval Head Wood Screw	3.5X25 GOLD		4	02
E33	--	Vibrato Spring			2	
E34	--	Spring Stopper				
E35	EN240060	Spring Screw	4.0X45 FNM33G (NI)		2	01
* E36	QC556600	Back Cover	WH			
* E37	TY005200	Oval Head Wood Screw	2.4X13 GOLD		4	
* E38	QC556700	Back Cover	Electrical (WH)			
* E39	TY005200	Oval Head Wood Screw	2.4X13 GOLD		2	
E40	BB802460	Strap Button	GOLD		2	02
E41	EN230130	Oval Head Tapping Screw	3.0X25 GOLD		2	
E42	VB793700	Spacer	BL		2	01
E43	--	Strings	XL-120		1 set	
				(QC16510)		
* F11	QC546500	Electrical Unit(Jack Assy)				
F11a	--	Jack	GOLD			
F11aa	--	Hexagonal Nut				
F11ab	--	Flat Washer				
F11ac	--	Rubber Ring				
F18	EA620060	Oval Head Wood Screw	2.7X13 FCM33G (CR)			03
G01	--	Pick Guard Assembly				
* G01a	QC546000	Pick Guard	WH/BL/WH			
G01b	--	Electrical Unit				
				(QC54640)		
* G01ba	QC546700	3-P P.U. Selector SW.	3-P			
G01bb	HS120070	Rotary Variable Resistor	15A 500K ohm		MASTER VOLUME	03
G01bc	HS120100	Rotary Variable Resistor	05A 250K ohm		MASTER TONE	03
* G01bd	QC549300	Rotary Variable Resistor	A+C 250K ohm CC		PICKUP FADER CONTROL	
G01be	UA114220	Mylar Capacitor	0.022uF			01
* G01c	QC545100	Knob, Pickup Switch	GOLD			
G01d	VA295700	Washer	BL			02
G01e	QC496000	Toothed Lock Washer	12S (A)			01
* G01f	QC541800	Knob Assembly	GOLD			3
G01fa	QC532900	Screw	M3.0X3 ZMC-BL (BL)			3
* G02	TY005200	Oval Head Wood Screw	2.4X13 GOLD			14
* G03	QC557200	Pickup Assembly A			FRONT	
* G05	QC558900	Round Head Wood Screw	3.5X32 GOLD			2
* G06	QC556500	Pickup Cushion				
* G07	QC543500	Pickup Assembly B	GOLD		CENTER	
* G08	QC544100	Pickup Cover	LARGE		CENTER+REAR	
* G11	QC543600	Pickup Assembly C	GOLD		REAR	
* G13	QC558900	Round Head Wood Screw	3.5X32 GOLD			4
* G14	QC556500	Pickup Cushion				2
*	QC557900	Accessory Unit	G-8		1 set	
	QA262600	Cord	D			05
	AA804050	Hexagonal Wrench	#1.5			01
	AA815290	Hexagonal Wrench	#2.0			
	AA809490	Hexagonal Wrench	#2.5			02
	--	Hexagonal Wrench	#4.0			
	AA024560	Box Wrench			(AA82101)	04

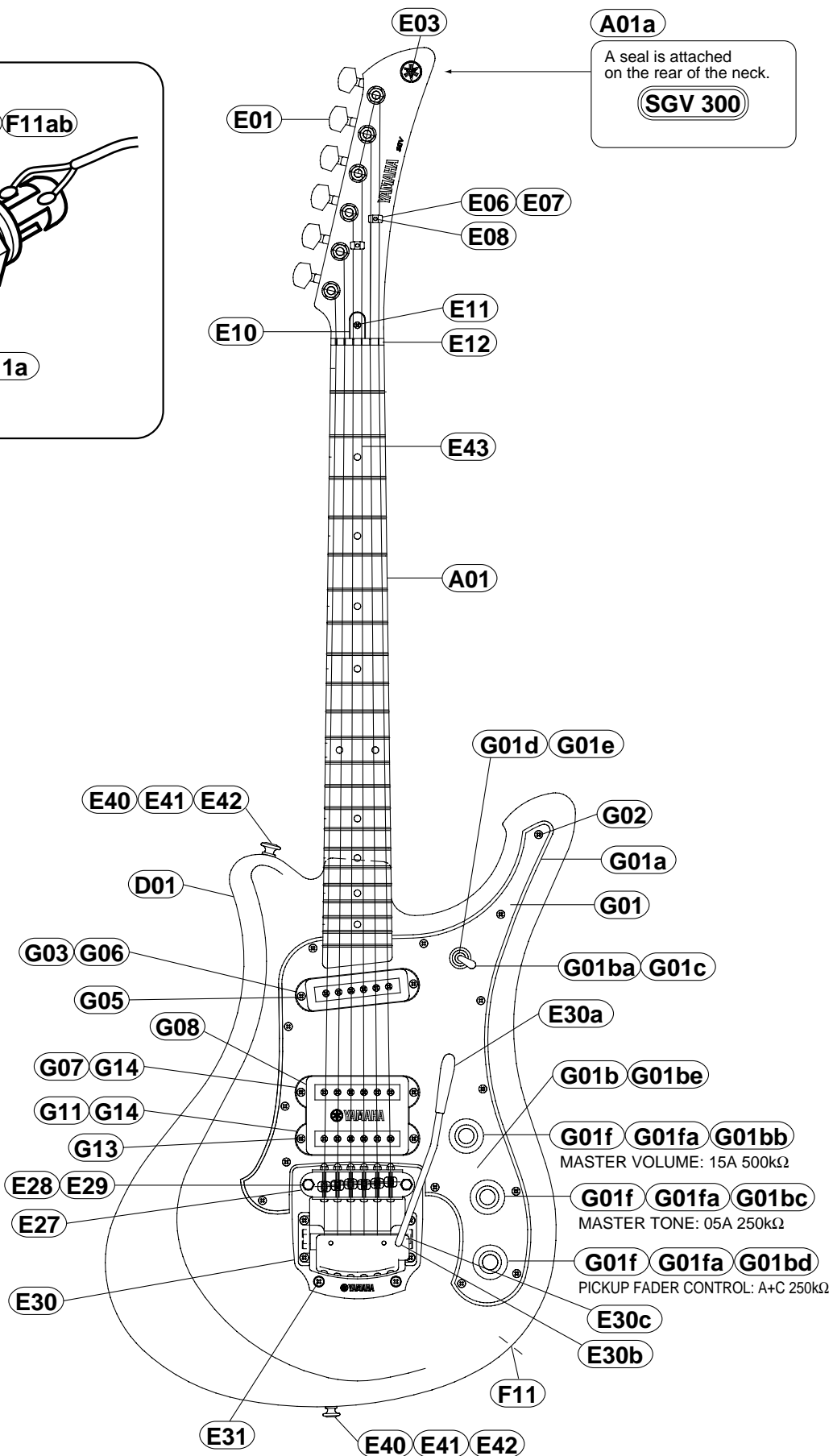
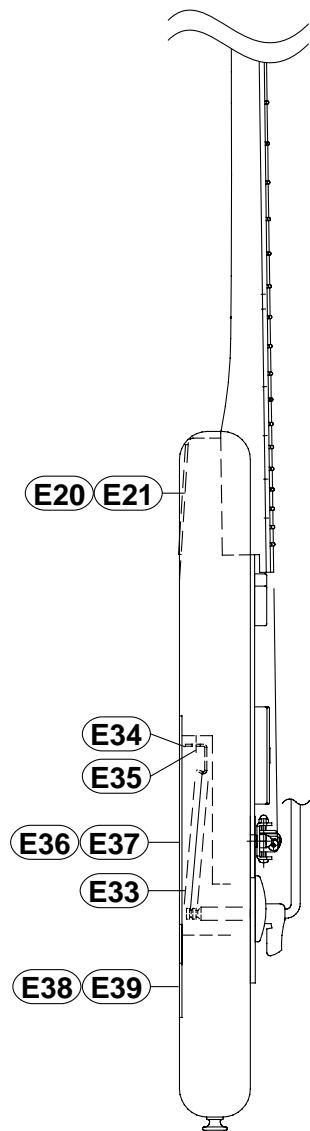
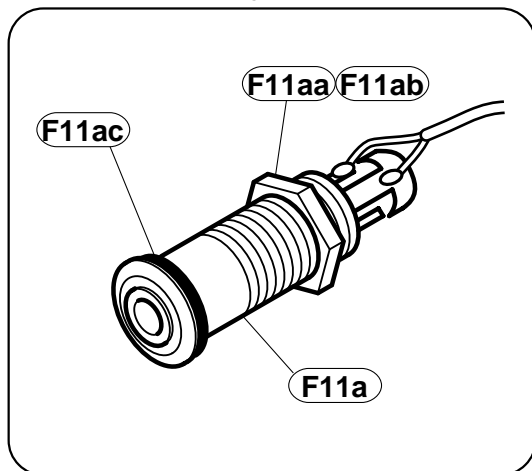
*: New Parts

RANK: Japan only

OVERALL ASSEMBLY

● SGV300

(F11) Jack Assembly



● SGV300

REF NO.	PART NO.	DESCRIPTION		REMARKS	QTY	RANK
* A01	AAX13830	OVERALL ASSEMBLY		SGV300		
* A01	AAX13840	Neck Assembly		RM		
* A01	AAX13850	Neck Assembly		PG		
* A01	AAX13860	Neck Assembly		VY		
* A01	AAX13870	Neck Assembly		BL		
A01a	--	Seal		SOB		
				(QC55420)		
D01	--	Body				
* E01	QC556100	Tuning Machine Assembly	RM1273 (CR)	1set		
E06	AA819700	String Guide	CR		2	02
E07	QC370200	Spacer	BL		4	02
* E08	03704080	Round Head Wood Screw	2.1X13 FNM33G (NI)		2	
E10	VD955900	Rod Cover	BL			01
E11	03706220	Oval Head Wood Screw	2.4X10 FCM3BL (BL)			01
* E12	QC537500	Nut	41mm R250 (IV)			
E20	QC015100	Neck Plate	CR			04
E21	EN240060	Oval Head Tapping Screw	4.0X45 FNM33G (NI)		4	01
* E27	QC537600	Bridge Assembly	ROLLER TYPE (CR)			
* E28	QC539000	Bridge H. Adjustment Screw	M6.0 (CR)		2	
* E29	QC539200	Ant: Slip Nut	CR		2	
* E30	QC539600	Vibrato Assembly	CR			
* E30a	QC541100	Arm Assembly	FCRM33G (CR)			
* E30b	QC541000	Arm Shaft Holder	BL			
E30c	AAX07860	Tension Adjustment Screw	M3.0X4 (BL)			
E31	EB630100	Oval Head Wood Screw	3.5X25 FCM33G (CR)		4	02
E33	--	Vibrato Spring			2	
E34	--	Spring Stopper				
E35	EN240060	Spring Screw	4.0X45 FNM33G (NI)		2	01
* E36	QC556600	Back Cover	WH			
* E37	TY006000	Oval Head Wood Screw	2.4X13 FCM33G (CR)		4	
* E38	QC556800	Back Cover	Electrical (WH)			
* E39	TY006000	Oval Head Wood Screw	2.4X13 FCM33G (CR)		2	
E40	BB801510	Strap Button	CR		2	04
E41	EN230140	Oval Head Tapping Screw	3.0X25 FCM33G (CR)		2	04
E42	VB793700	Spacer	BL		2	01
E43	--	Strings	XL-120	1 set (QC16510)		
* F11	QC546500	Electrical Unit(Jack Assy)				
F11a	--	Jack	GOLD			(QA20990)
F11aa	--	Hexagonal Nut				
F11ab	--	Flat Washer				
F11ac	--	Rubber Ring				
G01	--	Pick Guard Assembly				(QC54610)
* G01a	QC546200	Pick Guard	WH			
G01b	--	Electrical Unit				(QC55010)
* G01ba	QC546700	3-P P.U. Selector SW.	3-P			
G01bb	HS120070	Rotary Variable Resistor	15A 500K ohm			03
G01bc	HS120100	Rotary Variable Resistor	05A 250K ohm			03
* G01bd	QC549300	Rotary Variable Resistor	A+C 250K ohm CC			
G01be	UA114220	Mylar Capacitor	0.022uF			01
* G01c	QC545000	Knob, Pickup Switch	CR			
G01d	VA295700	Washer	BL			02
G01e	QC496000	Toothed Lock Washer	12S (A)			01
* G01f	QC541700	Knob Assembly	CR		3	
G01fa	QC532900	Screw	M3.0X3 ZMC-BL (BL)		3	
* G02	TY006000	Oval Head Wood Screw	2.4X13 FCM33G (CR)		14	
* G03	QC557400	Pickup Assembly A		FRONT		
* G05	EA630210	Round Head Wood Screw	3.5X32 FNM33G (NI)		2	
* G06	QC556500	Pickup Cushion				
* G07	QC543800	Pickup Assembly B	CR			
* G08	QC544100	Pickup Cover	LARGE			
* G11	QC543900	Pickup Assembly C	CR			
* G13	EA630210	Round Head Wood Screw	3.5X32 FNM33G (NI)		4	
* G14	QC556500	Pickup Cushion			2	
	QC558000	Accessory Unit	G-9	1 set		
	QA262600	Cord	D			05

*: New Parts

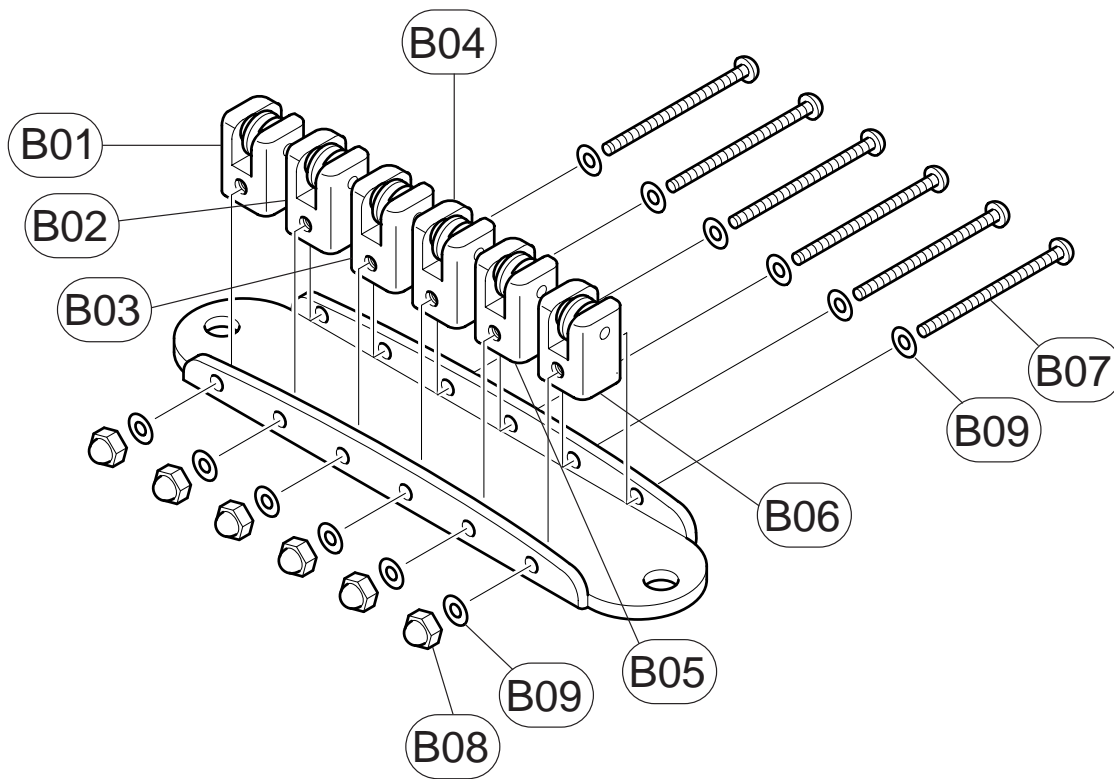
RANK: Japan only

REF NO.	PART NO.	DESCRIPTION		REMARKS	QTY	RANK
	AA804050	Hexagonal Wrench	#1.5			01
	AA815290	Hexagonal Wrench	#2.0			02
	AA809490	Hexagonal Wrench	#2.5			04
	AA805430	Hexagonal Wrench	#5.0			04
	AA024560	Box Wrench				04

*: New Parts

RANK: Japan only

BRIDGE ASSEMBLY



● SGV800/SGV300

REF NO.	PART NO.	DESCRIPTION		REMARKS	QTY	RANK
*	QC537600	BRIDGE ASSEMBLY	ROLLER TYPE (CR)	SGV800		
*	B01	AAX14540	Saddle Assembly	1 ZNDC+SUS303	1 string	
*	B02	AAX14550	Saddle Assembly	2 ZNDC+SUS303	2 string	
*	B03	AAX14560	Saddle Assembly	3 ZNDC+SUS303	3 string	
*	B04	AAX14570	Saddle Assembly	4 ZNDC+SUS303	4 string	
*	B05	AAX14580	Saddle Assembly	5 ZNDC+SUS303	5 string	
	B06	AAX14590	Saddle Assembly	6 ZNDC+SUS303	6 string	
	B07	QC539400	Octave Adjusting Screw	M3.0X25 (CR)		6
	B08	QC539500	Cap Screw	M3.0 (CR)		6
	B09	QC502900	Flat Washer	5.5X3.1X0.3 POMW		12

*: New Parts

RANK: Japan only

● **SGV700**

REF NO.	PART NO.	DESCRIPTION		REMARKS	QTY	RANK
*	QC537700	BRIDGE ASSEMBLY	ROLLER TYPE (GOLD)	SGV700		
* B01	AAX14600	Saddle Assembly	1 ZNDC+SUS303	1 string		
* B02	AAX14610	Saddle Assembly	2 ZNDC+SUS303	2 string		
* B03	AAX14620	Saddle Assembly	3 ZNDC+SUS303	3 string		
* B04	AAX14630	Saddle Assembly	4 ZNDC+SUS303	4 string		
* B05	AAX14640	Saddle Assembly	5 ZNDC+SUS303	5 string		
B06	AAX14650	Saddle Assembly	6 ZNDC+SUS303	6 string		
B07	QC529700	Octave Adjusting Screw	M3.0X25 GOLD		6	
B08	QC530000	Cap Screw	M3.0 GOLD		6	
B09	QC502900	Flat Washer	5.5X3.1X0.3 POMW		12	

*: New Parts

RANK: Japan only

WARNING : CHEMICAL CONTENT NOTICE!

The solder used in the production of this product contains LEAD. In addition, other electrical/electronic and/or plastic (Where applicable) components may also contain traces of chemicals found by the California Health and Welfare Agency (and possibly other entities) to cause cancer and/or birth defects or other reproductive harm.

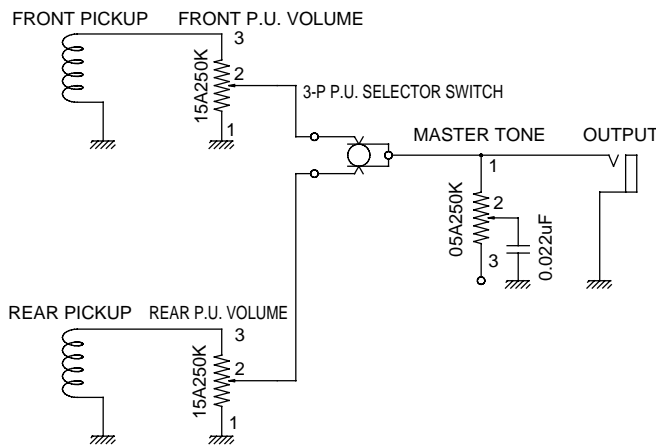
DO NOT PLACE SOLDER, ELECTRICAL/ELECTRONIC OR PLASTIC COMPONENTS IN YOUR MOUTH FOR ANY REASON WHAT SO EVER!

Avoid prolonged, unprotected contact between solder and your skin! When soldering, do not inhale solder fumes or expose eyes to solder/flux vapor!

If you come in contact with solder or components located inside the enclosure of this product, wash your hands before handling food.

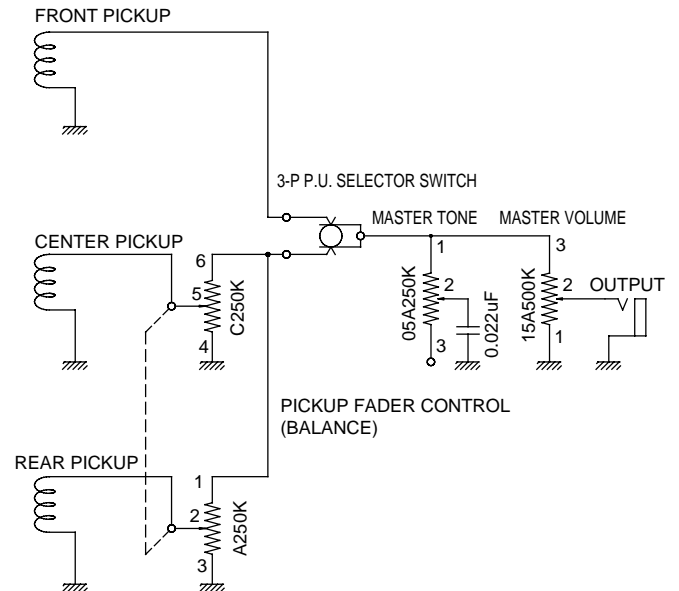
■ **CIRCUIT DIAGRAM**

● **SGV800**



STE-GP02-04

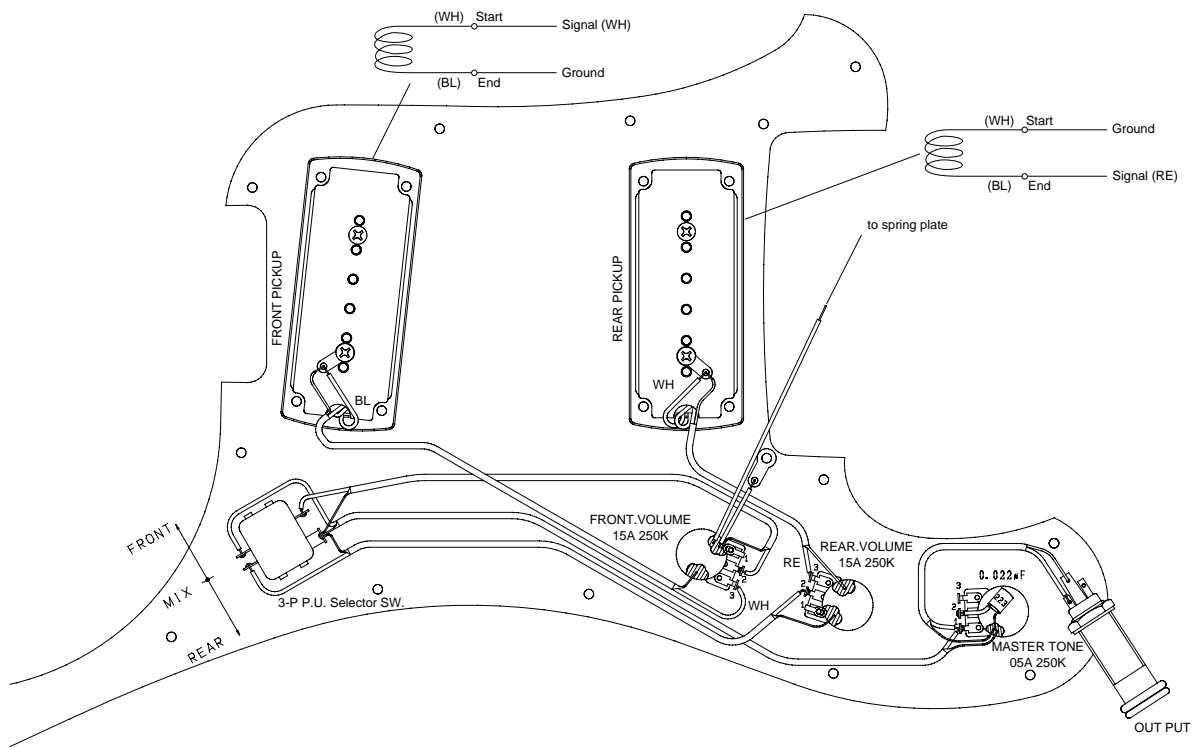
● **SGV700/SGV300**



STE-GP03-03

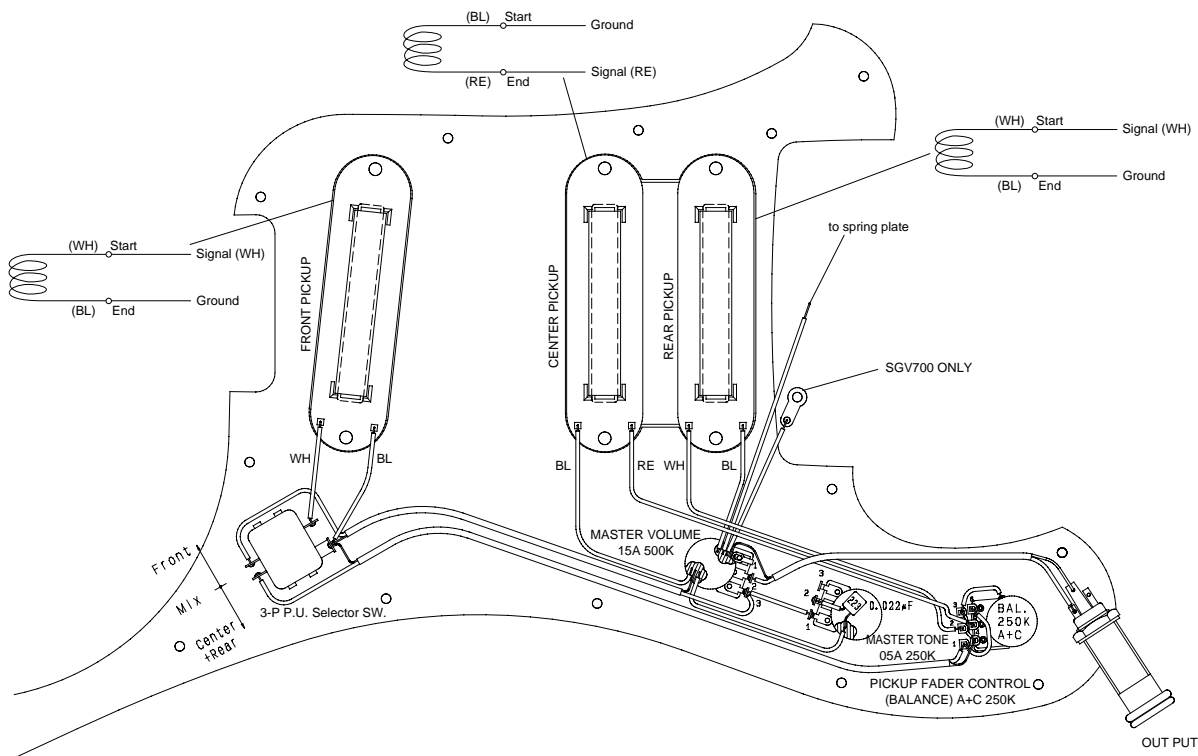
WIRING

● SGV800



AWG-SGV800

● SGV700/SGV300



AWG-SGV700/SGV300

SPECIFICATIONS

	SGV 800	SGV 700 *Japan Domestic Only	SGV 300
• STANDARD SPECIFICATIONS Scale Length Body-Neck Construction Length Width Net Weight	628.6mm Bolt on 1017.7mm 354.5mm 3.9kg		628.6mm Bolt on 1022.0mm 354.5mm 3.9kg
COLOR Body/Neck	BUS (BLUE SPARKLE) RDS (RED SPARKLE) BKS (BLACK SPARKLE) PSW (PEARL SNOW WHITE)	RM (RED METALIC) PG (PEARL GREEN) SLB (SHELBY BLUE)	RM (RED METALIC) PG (PEARL GREEN) VY (VINTAGE YELLOW) BL (BLACK) SOB (SONIC BLUE)
• BODY Material Body Depth	Alder+Agatize 42mm		
• FINGERBOARD Material Fingerboard Width No. of Frets	Rose 0-F 41.0mm, 12-F 50.7mm 22		
• NECK Material Neck Thickness	Maple 1-F 21.0mm, 12-F 24.0mm		
• PARTS Hardware Nut Bridge Stringts	Chrome Urea ROLLER TYPE (CR) XL-120	GOLD Urea ROLLER TYPE (GOLD) XL-120	Chrome Urea ROLLER TYPE (CR) XL-120
• CONTROLS Volume Tone Balance	15A 250k Ω x 2 05A 250k Ω x 1 -	15A 500k Ω x 1 05A 250k Ω x 1 A+C 250k Ω x 1	
• PICKUPS Front Center Rear Magnet: Front/Center/Rear	Single Coil - Single Coil Alnico V	Single Coil Single Coil Single Coil Ferrite	